

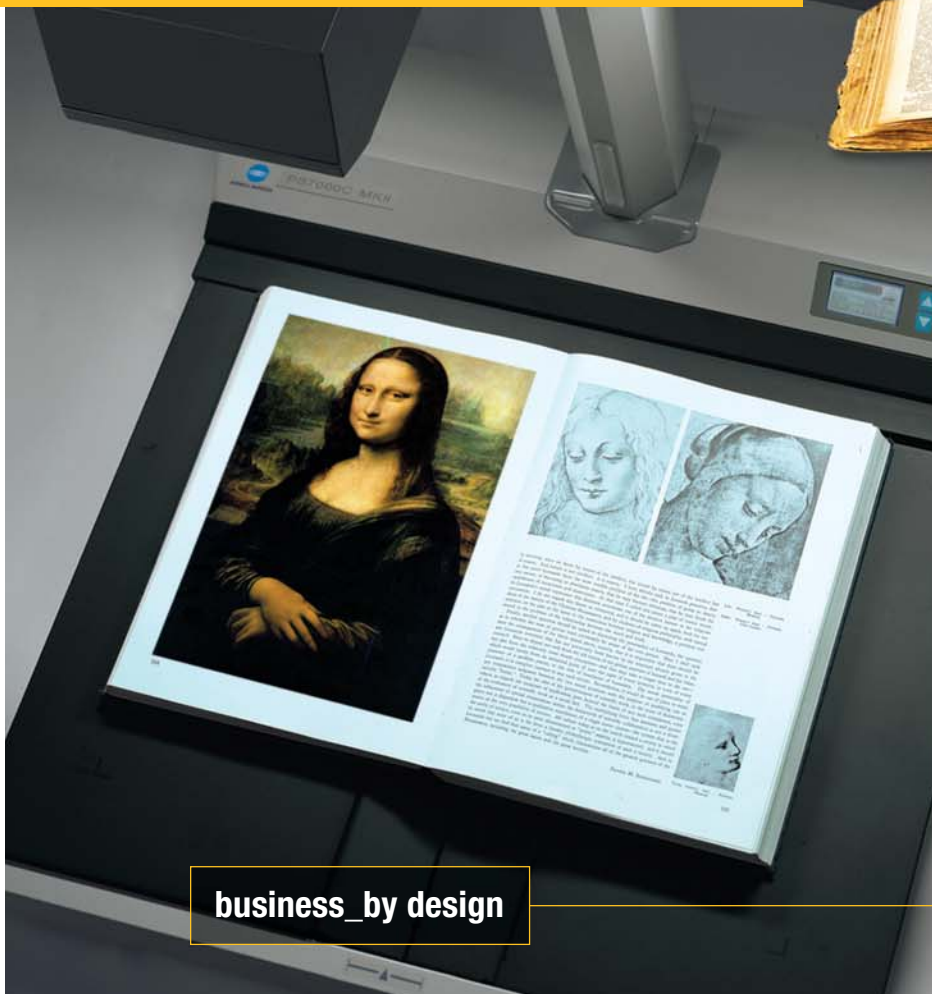
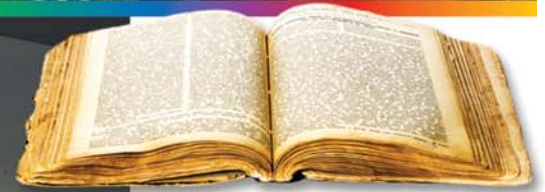


KONICA MINOLTA

CONNECT _ COMMUNICATE _ CONTROL _

PS7000C MKII FULL COLOR_ DIGITAL_ BOOK_ SCANNER

FAST, COLOR SCANNING & PRINTING. Konica Minolta presents a full-color book scanner that's faster and more flexible — with easy-to-use application software* for network printing and performance features to save time and enhance image quality. The PS7000C MKII preserves your originals with face-up scanning that protects bindings and reduces handling of fragile documents. Scanning multiple pages is easy — just turn the page, no need to lift or rotate the book or magazine. With color scan speed of just 9.9 seconds or less per open spread, scanning area up to 18" x 24," support for Windows 2000, Windows XP and Windows Vista environments, even an optional Scan Vending Device for public-access scanning and printing, the PS7000C MKII gives you the speed and versatility you need for a wide range of applications — and a safe, cost-effective way to scan, digitize and share the content of books, magazines, scientific manuals, maps, historical materials, artwork and three-dimensional objects.



SCAN _ SAVE _ SHARE _ PRINT

business_by design

- ▶ SCAN FRAGILE ARCHIVAL MATERIALS: BOOKS, LEDGERS, MAPS, ETC.
- ▶ SCAN 3-D OBJECTS UP TO 2" HIGH — COLLECTIBLES, ARTIFACTS, ETC.
- ▶ SCAN AREA FROM 5-1/2" x 8-1/2" TO 18" x 24" TO FIT LARGE ORIGINALS
- ▶ SUPPORT FOR WINDOWS® 2000, WINDOWS XP®, WINDOWS VISTA®
- ▶ IMAGE DIVA SOFTWARE FOR QUICK SCAN AND PRINT CONVENIENCE
- ▶ VENDING DEVICE OPTION FOR PUBLIC-ACCESS SCANNING/PRINTING
- ▶ FAST COLOR SCANNING SPEED: 9.9 SECONDS OR LESS
- ▶ OUTPUT RESOLUTION UP TO 600 DPI FOR HIGH-QUALITY IMAGING
- ▶ 24-BIT COLOR, 8-BIT GRAYSCALE FOR SUPERB REPRODUCTION
- ▶ SCAN MODES: SPREAD, SINGLE LEFT, SINGLE RIGHT, SPLIT MODE
- ▶ AUTOMATICALLY CORRECTS FOR PAGE CURVATURE OF BOOKS
- ▶ MASKS FINGERS AND FRAME, ERASES CENTER SHADOWS
- ▶ HIGH-SPEED USB 2.0 INTERFACE FOR EASY CONNECTIVITY
- ▶ SIMPLE OPERATION, INTUITIVE CONTROLS, SPACE-SAVING DESIGN

The essentials of imaging

PS700C MKII



FULL COLOR _DIGITAL_ BOOK_SCANNER

CONNECT_COMMUNICATE CONTROL_

General Specifications:

TYPE:	Desktop color book scanner for face-up originals
SCANNING SYSTEM:	Rotary lens scanning system
DOCUMENT TYPE:	Book, Sheet, 3D object
DOCUMENT SIZE:	Maximum effective area: 18 inches x 24 inches L * Landscape: L, Portrait: P
BOOK MODE/SHEET MODE:	18x24 L, 17x22 L, 14x22 L, 12x18 L/P, 14x17 L/P, 11x17 L/P, 11x14 L/P, 8.5x14 L/P, 8.5x11 L/P, 5.5x8.5 L/P
SPREAD:	12x18 P, 11x17 P, 11x14 P, 8.5x14 P, 8.5x11 P, 7x11 P, 7x8.5 P, 5.5x8.5P
SINGLE:	12x18 Px2, 11x17 Px2, 11x14 Px2, 8.5x14 Px2, 8.5x11 Px2, 7x11 Px2, 7x8.5 Px2, 5.5x8.5 Px2
SPLIT:	Size setting is available at preview screen
3D MODE:	2 inches or less
DOCUMENT THICKNESS:	200 / 240 / 300 / 360 / 400 / 600 dpi
RESOLUTIONS:	Area type CCD sensor (10.5 Mega pixels)
IMAGE SENSOR:	Florescent lamp 28W x 2
LIGHT SOURCE:	24bit - Color, 8bit - Grayscale, 1bit - Black and White
SCAN MODE:	9.9 seconds or less (Mode: Sheet, 17x22 L, Color, 300 dpi)
SCAN SPEED:	Curved text line correction, Text compression correction
AUTO BOOK CORRECTION FUNCTION:	Center erase, Frame masking, Finger masking, Centering
EDITING FUNCTION:	Original type, original page, original size, original mode, frame masking on /off and center erase on/off are changeable
OPERATIONAL PANEL:	USB 2.0 High Speed (USB Cable: less than 6 feet)
INTERFACE:	TWAIN 32 compliant
DEVICE DRIVER:	32bit Operating System
OS COMPATIBILITY:	Windows 2000, Windows XP, Windows Vista
RECOMMENDED PC SYSTEM:	CPU: INTEL Core2 Duo 2.33GHz or faster
	MEM: 2GB or more
	VIDEO: 256 MB Memory or more
DIMENSIONS:	35.7 inches (W) x 32.4 inches (D) x 42.3 inches (H)
WEIGHT:	Approx. 119 lbs.
POWER SOURCE:	120V 60Hz
POWER CONSUMPTION:	Less than 120W
ACCESSORIES:	Glass Plate Unit, Angle Book Holder, Manual Switch



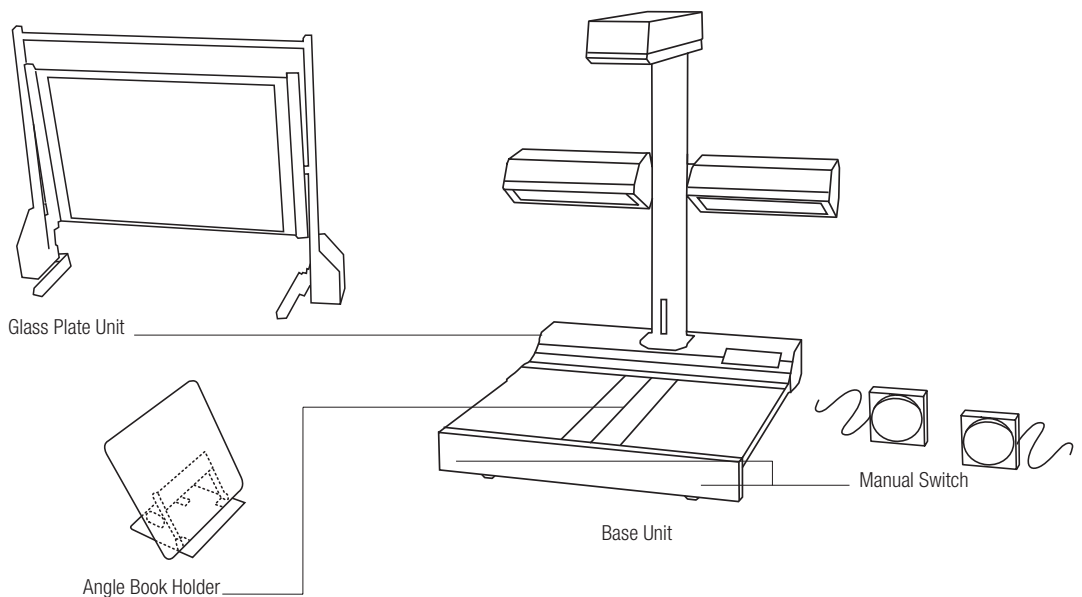
© 2008 KONICA MINOLTA BUSINESS SOLUTIONS U.S.A., INC. All rights reserved. Reproduction in whole or in part without written permission is prohibited. Konica Minolta and The essentials of imaging are trademarks of KONICA MINOLTA HOLDINGS, INC. All other brands and product names are registered trademarks or trademarks of their respective owners.

Design & specifications are subject to change without notice.

Konica Minolta fully encourages compliance with U.S. statutory law that prohibits the copying of certain documents under certain circumstances. For instance, copyrighted material cannot be copied unless permission from the copyright owner has been obtained or the copying falls within the "fair use" or library reproduction rights provision of the copyright law. Further information on these provisions can be obtained from the Copyright Office, Library of Congress, Washington, D.C. 20559 (request circular R21).

DESCRIPTION:

	ITEM NO.	DESCRIPTION	NOTES
BASE UNIT:	PS700C MKII	Full Color Book Scanner	Includes Book Cradle, USB Cable, White Balance Chart, Power Cable, Twain Driver, Manual
ACCESSORIES:	GLASS PLATE UNIT:	7133017701 Glass Plate	Flattens the surface of the original for a better image quality and protect the spine
	BOOK HOLDER:	1379131 Angle Book Holder	Provides 3 settings for enhanced book spine support
	MANUAL SWITCH:	7133017101 Manual Switch	Initiates the scanning with one touch



KONICA MINOLTA

KONICA MINOLTA BUSINESS SOLUTIONS U.S.A., INC.

100 Williams Drive
Ramsey, NJ 07446
www.kmbs.konicaminolta.us
www.kmbs.konicaminolta.us/solutions