



KONICA MINOLTA

The essentials of imaging



PS5000C MKII

The planetary scanner designed for the face-up scanning of books, sheets, and three-dimensional objects

A3 face-up colour book scanner PS5000C MKII

The PS5000C MKII solves problems that other scanners can't. Now faster and easier to use.



The PS5000C MKII can dramatically **increase production**

→ **Books are heavy and difficult to turn upside down while open**

The PS5000C MKII scanner doesn't require you to turn books upside down for scanning. Simply open the book to the page you want to scan and position it on the scanner's cradle as if you are about to start reading it.

→ **I'd like to be able to scan three-dimensional objects positioned upright**

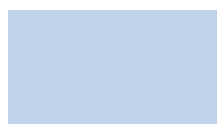
Even three-dimensional objects that are problematic for standard scanners (approximately 5 cm thickness) can be scanned and converted into digital data with the PS5000C MKII. Simply place the object on the scanner's cradle and press the scan button. The PS5000C MKII can also be used to scan three-dimensional objects at very close to actual size.

→ **I worry about damaging valuable documents**

The PS5000C MKII automatically recognizes and corrects for the curvature of bound books. There is no need to flatten books to prevent distortion of the text; the scanner makes the necessary corrections in the image.

→ **I need to scan non-standard paper**

With the PS5000C MKII, you can easily scan not only non-standard paper, but also paper that has labels attached to it, or even stapled pages, as long as the original fits within the specified scanning area.





→ High-precision colour, greyscale, and monochrome scanning

The PS5000C MKII's use of a high-resolution CCD enables precise and beautiful scanning. The standard unit can handle colour, greyscale, and monochrome scanning. Monochrome originals can quickly and easily be scanned in monochrome, while colour originals can just as quickly and easily be scanned in full colour. The PS5000C MKII's versatility ensures the best possible scanning results, no matter what the original.

→ Automatic correction functions

In addition to a function that corrects for the distortion of text commonly encountered when scanning books due to the curvature inherent in bound books and in the binding seam area, the PS5000C MKII features a variety of other digital correction functions, such as automatic center shadow erase, automatic book frame masking, automatic image position centering, and automatic finger masking. These functions help ensure that the original is reproduced beautifully.

efficiency

→ Three-dimensional object scanning

Standard flatbed scanners can't scan originals that aren't in contact with the scanning bed, so they aren't well suited for the scanning of three-dimensional objects. The PS5000C MKII colour book scanner is a non-contact scanner (face-up scanner), so it's ideal for use with three-dimensional objects.

→ Ease of operation

The PS7000C MKII includes our very own LOCATOR RAPIDE scanning software, which has been developed from years of experience within the Document Imaging sector. With LOCATOR RAPIDE, not only can you set the scanner functions (without opening the driver), you can save Images to a variety of formats including bmp, jpg, PDF, TIFF and also create batches or multipage files. Special features include post processing of colour Images, despeckling all or part of an Image, split screen or thumbnail view and much more. The PS7000C MKII can also be deployed as a public scanner by using the touch screen software.



A scanning image from a traditional scanner



A scanning image from the PS5000C MKII, with automatic correction applied

→ Book cradle and manual switch

The book cradle allows the operator to adjust originals (up to 10 cm thick) side to side and top to bottom, optional manual switches are located both to the right and left of the original, which makes it easy to scan while holding the original in place or turning the pages. The book cradle and manual switch are included.



Technical specifications

Type

Desktop Colour Book Scanner for Face-up Originals

Scanning System

Rotary Lens Scanning System

Document Type

Book, Sheet, 3D Object

Document Size

Max. Effective Area 297 mm x 431.8 mm
Landscape : L, Portrait : P

1) Book Mode, Sheet Mode

- a. Spread

A3L, B4P/L, A4P/L, B5P/L, A5P/L

- b. Single

A4P, B5P, A5P, B6P, A6P

- c. Split

A4Px2, B5Px2, A5Px2, B6Px2, A6Px2

2) 3D Mode

Size Setting is available at Preview Screen

Document Thickness

100 mm or less (It applies in Book Mode)

Resolution

200 / 240 / 300 / 360 / 400 / 600 dpi
Optical 360 dpi

Image Sensor

Area Type CCD Sensor (10.5 Mega pixels)

Light Source

Florescent Lamp 18W x 2

Scanning Mode

24bit - Colour, 8bit - Greyscale, 1bit - Black and White

Scanning Speed

9 seconds or less (Sheet, A3L, Colour, 400dpi)

Book Correction Function

Curved Text Line Correction, Text Compression Correction

Editing Functions

Center Erase, Frame Masking, Finger Masking, Centering

Operation Panel

Original Type, Original, Page, Original Size, Original Mode, Frame Masking On/ Off and Center Erase On/Off are changeable

Interface

USB 2.0 High Speed
(USB Cable: less than 6 Feet)

Device Driver

TWAIN 32 Compliant

OS Compatibility

32bit OS
Windows 2000, Windows XP, Windows Vista

Recommended PC System

CPU: INTEL Core2 Duo 2.33GHz or faster
MEMORY: 2GB or more
VIDEO: 256MB memory or more

Dimensions

673 mm (W) x 614 mm (D) x 828 mm (H)

Weight

Approx. 47kg.

Power Source

230V / 50Hz

Power Consumption

Less than 100W

Options

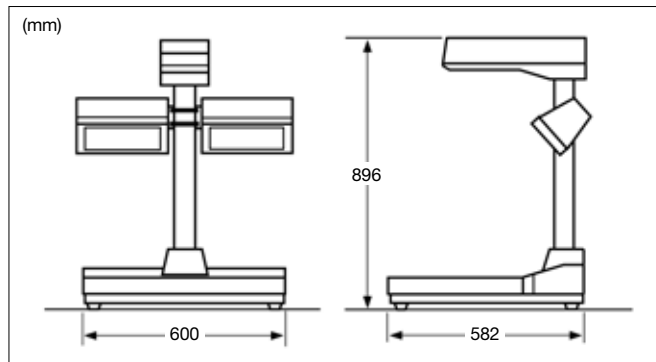
Book Holder, Glass Plate Switch KIT

* In some cases, the curvature may be too great for complete correction.

* In some cases, the colour of the object being scanned may differ somewhat from that of the original.

* There is a limit to the height of objects that can be scanned.

Dimensions



Options (included)



Glass Plate Kit



Foot switch

- The product specifications and design contained in this brochure are subject to change without notice.
- Please read the Instruction Manual carefully before using this machine.
- Microsoft® and Windows® are registered trademarks of Microsoft Corporation of the U.S.A.