

Metrologic®



Small Reliable Omni-Scanner

Orbit™ is an aggressive, omnidirectional presentation laser bar code scanner. Lightweight and rugged, Orbit is small in size but BIG in performance.

Designed for applications where counter space is at a premium, Orbit is the ideal presentation scanner for retail, convenience, liquor and specialty stores. In addition, Orbit's unique, contoured shape allows it to be picked up and used as a hand-held when scanning large or bulky items.

Engineered with a large, easy-to-find sweet spot, Orbit increases first pass read rate for maximum productivity. The scanning head can

Features

- Fully automatic scanning operation
- User-replaceable cables
- Easy programming
- 7 beeper tones
- Programmable depth of field
- Data editing
- Optional wall/counter mounting bracket

be tilted vertically a full 30° for added flexibility when scanning various sized objects. Orbit has a patented 20-line omnidirectional scan pattern that produces 1,200 scan lines per second. These features increase the scanning throughput, without increasing Orbit's size.

In order to meet the multiple application needs within the bar code scanning market, Orbit is engineered for easy programming and utilizes user-replaceable cables. Data editing or "parsing" is also a standard feature. Parsing enables the encoded information to be manipulated to meet the host system's requirements.



OPERATIONAL

Light Source	Visible Laser Diode 675 nm ± 5 nm
Laser Power	0.681 mW (peak)
Depth of Scan Field (programmable)	0 mm - 215 mm (0" - 8.5") for 0.33 mm (13 mil) bar codes
Width of Field	60 mm (2.4") @ face; 105 mm (4.1") @ 216 mm (8.5")
Scan Speed	1200 scan lines per second
Scan Pattern	5 fields of 4 parallel lines (omnidirectional)
Number of Scan Lines	20
Minimum Bar Width	0.13 mm (5.2 mil)
Decode Capability	Autodiscriminates all standard bar codes; for other symbologies call Metrologic
System Interfaces	PC Keyboard Wedge, RS232, OCIA, Light Pen, IBM 46XX, Stand Alone Keyboard
Print Contrast	35% minimum reflectance difference
Number Characters Read	Up to 80 data characters
Roll, Pitch, Yaw	360°, 60°, 60°
Beeper Operation	7 tones or no beep
Indicators (LED)	Red = laser on, ready to scan Green = good read

MECHANICAL

Height	150 mm (5.9")
Depth	105 mm (4.1")
Width - Orb	80 mm (3.1")
Width - Base	102 mm (4.0")
Weight	380 grams (13.4 oz)
Termination	10 pin modular RJ45
Cable	Standard 2.1 m (7') straight; optional 2.7 m (9') coiled; for other cables call Metrologic
Tilt - Orb	30° vertical

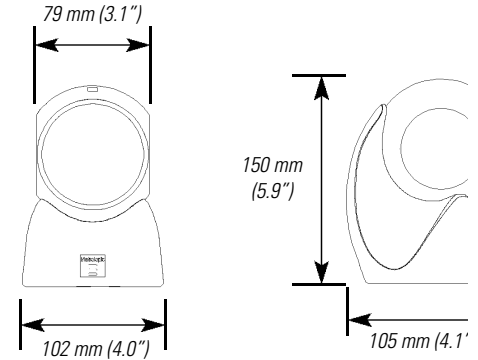
ELECTRICAL

Input Voltage	5 VDC ± 0.25 V
Power	1.1 W
Operating Current	220 mA
DC Transformers	Class 2; 5.2 V @ 650 mA
Laser Class	CDRH: Class IIa; EN60825-1:1994/a11:1996 Class 1
EMC	FCC Class A, CISPR Class A

ENVIRONMENTAL

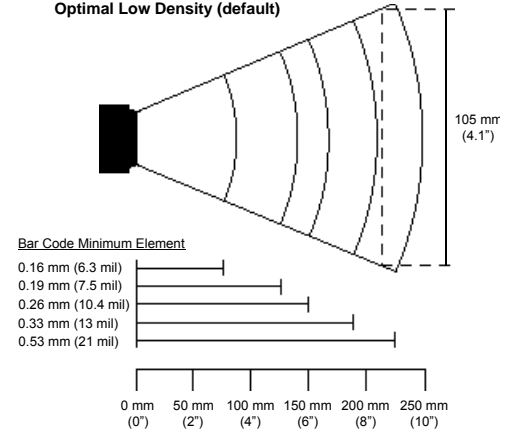
Operating Temperature	0°C to 40°C (32°F to 104°F)
Storage Temperature	-40°C to 60°C (-40°F to 140°F)
Humidity	5% to 95% relative humidity, non-condensing
Light Levels	Up to 450 footcandles
Shock	Designed to withstand 1 m (3.1') drops
Contaminants	Sealed to resist airborne particulate contaminants
Ventilation	None required

Dimensions

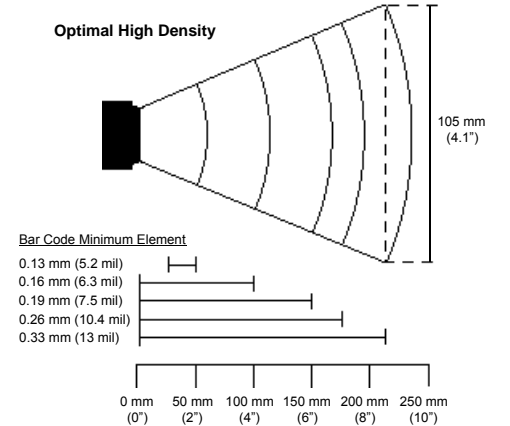


Scan Volume

Optimal Low Density (default)



Optimal High Density



Specifications subject to change without notice.
Printed U.S.A., November 1998



USA
Metrologic Instruments, Inc.
Tel. 1-800-ID-METRO
Fax 1-609-228-6673
info@metrologic.com

Europe
Metrologic Instruments GmbH
Tel. 49-89-89019-0
Fax 49-89-89019-200
metrologic@europe.metrologic.com

South America
Metrologic Instruments
Tel. 55-11-5505-6568
Fax 55-11-5505-1681
info@sa.metrologic.com

Brazil
Metrologic do Brasil Ltda
Tel. 55-11-5505-2396
Fax 55-11-5507-2301
metrolog@br.metrologic.com

Asia
Metrologic Asia (Pte) Ltd
Tel. 65-842-7155
Fax 65-842-7166
ant888@cyberway.com.sg

Metrologic®

